

Cirrus 25

Features:

- High power size ratio
- Lightweight
- Easy to fit
- Pre-wired
- Independent fan circuit to aid climate cooling with heater off or directional heating with fan on.



DBK's knowledge of thermal management gives us the experience to guide and support you with your technical challenges - we can manage the complete project from concept to full production release.

Cirrus 25	25/1			25/2				
	5W	10W	20W	10W	20W	30W	40W	
Nominal Power* at 10°C	5W	10W	20W	10W	20W	30W	40W	
Typical Max. Inrush Current (A) RMS at 12V AC	0,5	1,5	3	-	2,5	4	5	
Typical Max. Inrush Current (A) RMS at 24V AC	1,3	1,3	3	2,5	-	5,5	9,5	
Typical Max. Inrush Current (A) RMS at 115/230V AC	-	-	-	-	0,5 / 2,5	1 / 3,5	1 / 3,5	
Electrical Protection Class	III / SELV	III / SELV	III / SELV	III / SELV	I	I	I	
Ingress Protection	IP20	IP20	IP20	IP20	IP20	IP20	IP20	
Fan Volumetric Flow (m³/h)	5,1	5,1	5,1	5,1	5,1	5,1	5,1	
Fan Life Time - L10 bei 40°C (Std.)	120.000	120.000	120.000	120.000	120.000	120.000	120.000	
Fan Operating Temperature Range (°C)	-10 to +70	-10 to +70	-10 to +70	-10 to +70	-10 to +70	-10 to +70	-10 to +70	
Nominal Input Voltage Fan (V)	12 DC, 12 AC or 24 AC/DC			24 AC/DC	12 DC, 12 AC or 24 AC/DC			
Nominal Input Voltage Heater (V)	12 DC, 12 AC or 24 AC/DC			24 AC/DC	12 AC/DC or 115/230	12 AC/DC or 24 AC/DC or 115/230		
Dimensions Cross Section (mm)	26 x 27	26 x 27	26 x 27	26 x 27	26 x 27	26 x 27	26 x 27	
Length (mm)	50	50	50	72	72	72	72	
Weight (g)	60	60	60	90	90	90	90	
Finger Guards at Outlet (High Voltage Supply)	-	-	-	-	YES	YES	YES	
Finger Guards at Outlet (Low Voltage Supply)	Optional	Optional	Optional	Optional	Optional	Optional	Optional	

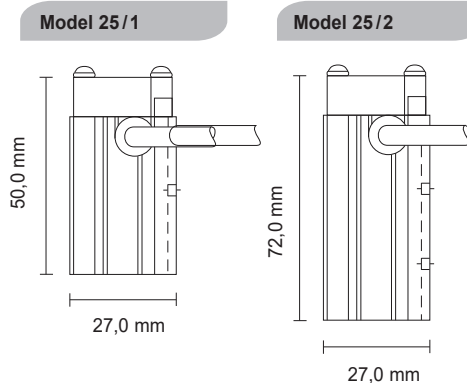
*Other power outputs available on request.

When specifying 12V fan, select either AC or DC operation. For 24V fan operation AC or DC can be applied.

Type	Size	Power	Fan input	AC / DC	Heater Voltage	Finger guard outlet**	DIN Clip**
	1 / 2						
C25	2	30W	12V	DC	24V	0	1

Order Code Example: **C 25 / 2 - 30W - 12V - DC - 24V - 0 - 1**

** 1 = Yes, 0 = No



Options:

- Finger guard at outlet
- Smartcon® - Cable to allow fan operation from an AC supply of 12/24V
- Fixings - 35 mm DIN Rail clip (EN50022)



Matching Accessories:

- Thermostats (FGT100, FGT200)
- Dualstat (FGDT Series)