

Cirrus 80



Features:

- High power to size ratio
- Light weight
- Easy to fit
- Screw terminal for easy wiring
- Dual power feature
- Independent fan circuit to aid cooling with heater off or directional heating with fan on

Options:

- Filter Assembly (Typical power reduction of 10% when 30 PPI filter fixed)
- Fixings - 35mm DIN Rain clip (EN50022)

DBK's knowledge of thermal management gives us the experience to guide and support you with your technical challenges - we can manage the complete project from concept to full production release.

Cirrus 80			
Nominal Power*	at 10°C	300 / 600W	450 / 800W
Typical Max.In-Rush Current (A) RMS	at 230V AC	10	11
Typical Max.In-Rush Current (A) RMS	at 115V AC	15	14
Max. Body Temperature	(°C)	55	80
Electrical Protection Class		I	I
Ingress Protection		IP20	IP20
Operating Temperature Range	(°C)	-40 to +60	-40 to +60
Fan Volumetric Flow	(m3/h)	45 - 54	45 - 54
Fan Life Time - L10	at 40°C (hrs)	43.500	43.500
Nominal Input Voltage (Depending on Variant)	(V)	115/230AC	115/230AC
Dimensions	Cross Section (mm)	82 x 110	82 x 110
Length	(mm)	150	150
Weight	(g)	785	785
Finger Guards at Inlet and Outlet		Yes	Yes

* Other power outputs available on request

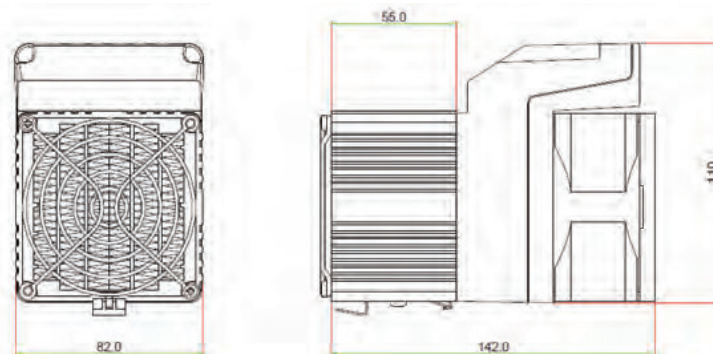
Ordering Example:

Type	Power	Heater Voltage	DIN Clip**	Filter**
			1 / 0	1 / 0
C80	600 W	230 V	1	1

Order Code Example: C80 – 600W – 230 V – 1 – 1

** 1 = Yes, 0 = No

Design drawing



Matching Accessories:

- Thermostats (FGT100, FGT200)
- Dualstat (FGDT Series)